

## Technical Datasheet

### Radiant Low Energy, High Output Fluorescent Light Fitting.

#### Dimensions

Overall: 160mm x 160mm x 46mm  
Lens: 160mm x 160mm x 29mm  
Base: 160mm x 160mm x 17mm

#### Finish

Light Spark finish

#### Power

12V DC option  
24V DC option

#### Material

Lens: Clear Opal polycarbonate  
Base: White polycarbonate

#### Bulb

16W 2D Low energy Fluorescent unit

#### Light Output

GE F282D / 835 4 Pin 2D 16W fluorescent tube rated 1050 lumen  
See Tube Spec on next page

#### Consumption

Approximate 1 Amp per hour.  
1.01 – 1.06 Amps @ 9-14Volts. Minimum Strike 8 Volts  
30 hours of continuous use powered from an average tow car battery.

#### Standards

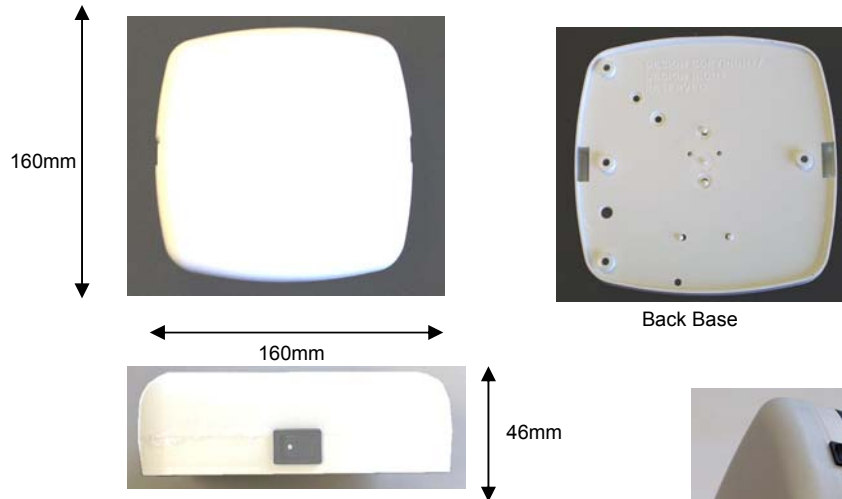
CE, EMC complies with EN55015:1993, EN50082-1:1992

#### Applications

Interior use, unless other wise stated.  
Marine (galley and engine room), automotive, emergency vehicles, commercial trailers, custom truck bodies, caravans, campers, tents, advertisement back lighting

#### Options

Switched, non-switched, wired, task light, Red lens (nightsailing) emergency battery back up (task light), security sealed (anti-tamper), OEM option and custom printed.



#### Radiant Task Light

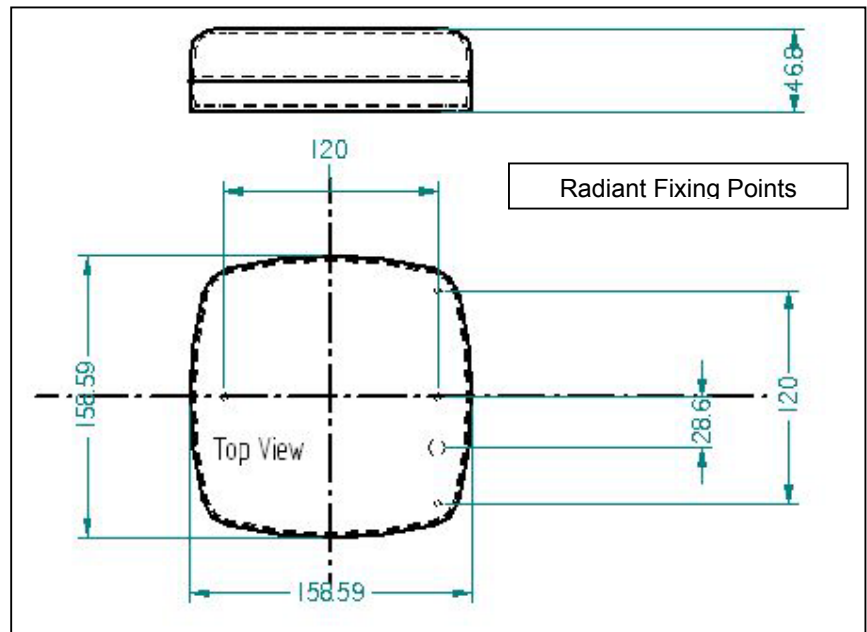
Powered from car Cigarette socket with rechargeable battery pack option.



P/N	Description
R12V	12V Radiant Switched
R24V	24V Radiant Switched
R12VN	12V Radiant No Switch
R24VN	24V Radiant No Switch
R12VNS	12V Radiant Security sealed, (No Switch)
R24VNS	24V Radiant Security sealed, (No Switch)
RT12V	12V Radiant Task light, with 5m-cigarette power lead.
RT12VB	12V Radiant Task light, with 5m-cigarette power lead & Re-chargeable battery back up.
RT24V	24V Radiant Task light, with 5m-cigarette power lead.
RT12VB	12V Radiant Task light, with 5m-cigarette power lead & Re-chargeable battery back up.

## Biax 16 2D – 4 Pin Tube

- Biax 2D - 4 Pin was developed and patented innovation that provides circular light output.
- Low profile design makes it ideal for wall or ceiling fittings.
- High output in any burning position and at very low or high temperatures.
- Light spreads out uniformly all around the lamp with no shadows.
- More attractive light wit a range of colours.
- More efficient light, a Biax 2D 16 W lamp replaces a 75W GLS lamp.
- Saving energy and giving 10 times longer life.



Model	Wattage	Colour	Lumen	L1 (mm)	L2 (mm)	T (mm)	Base
F162D / 835 4 Pin	16	Tropical Cool	1050	141	138	27.2	GR10

Scottlamp Limited 2003. Scottlamp Limited reserves the right to change the information in this datasheet without notice. Scottlamp Limited is not liable for any errors that might appear in this document. All logos are copyright of their respected owners.

Datasheet R-001 Iss05